

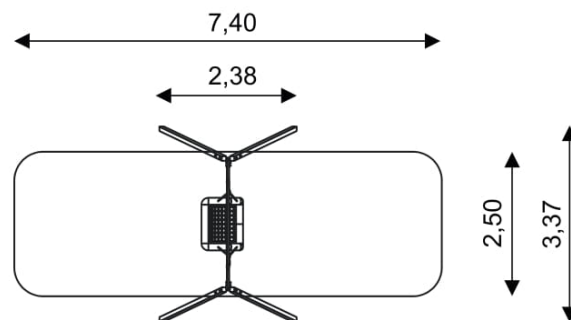
SWING ST0517

SWING



Device Specifications	
Safety zone	18,30 m
Length	3,37 m
Width	2,38 m
Total height	2,93 m
Free fall height	1,30 m
Age group	3-12 years
In accordance w/ EN standards	1176-1:2017
Weight of the heaviest part [kg]	18
Dimension of the biggest part [cm]	370x8x8
Availability of spare parts	Yes

Minimal space



Material specification

- Galvanized and/or powder coated steel 80 x 80 mm construction;
- Stainless steel screws or screws covered with plastic caps;
- No sharp edges or chinks that would pose a danger of jamming the head, fingers or any other body parts;
- Stainless steel chain hooks;
- Durable certified seat;

Additional information

- The equipment is certified by an accrediting organization or by certificate of conformity;
- Depth of foundations on a flat surface: 80/70/60 cm;
- The equipment is designed for public playgrounds;

Surfaces

Due to the free fall height of the equipment, the EN 1176-1:2017 standard allows the following surfaces: sand with minimal layer thickness of 30 cm (A,C), synthetic material approved for free fall of 1,30 m (A,B,C)

